

# Thermocouples TC MM CH

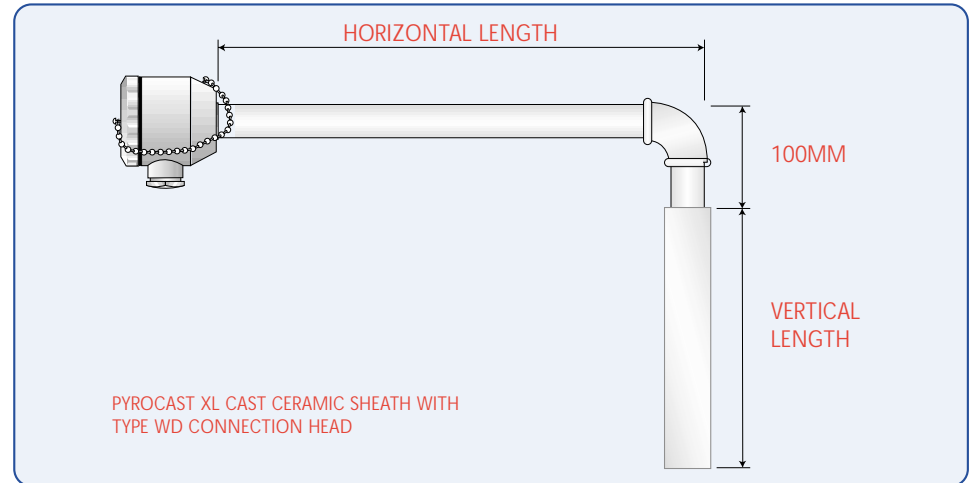
The TC MM CH Series of Thermocouples is used in the metal casting industry to monitor the temperature of molten metal.

They are configured to be immersed into the melt and have a 25mm O/D horizontal extension of mild steel to provide a terminal connection which operates at an acceptable temperature.

The thermocouple element is isolated from the sheath and the ceramic protection sheaths are replaceable.

The connecting head houses a ceramic block with terminals of thermocouple material to maintain accuracy of sensor calibration.

*These Thermocouples are all supplied, as standard, to Thermocouple Tolerance Class 1 for greater accuracy.*



**ORDER CODE**  
TC MM CH - E - H - - - - SS - - - VL - - - - CH - -

*The order code information below is shown as a guide to specifying the probe.  
Please contact our sales office if any features that you require are not shown.*

CALIBRATION TYPE	
Type	Max Temp.
K	1150
J	900

ELEMENTS	
Type	Code
Single	S
Duplex	D

HORIZONTAL LENGTH	
Size	Code
300mm	0300
400mm	0400
500mm	0500
600mm	0600
750mm	0750
1000mm	1000

SHEATH SPECIFICATION	
Description	Code
Ceramic Coated Cast Iron 42mm dia.robust construction with thick wall for optimum life. Suitable for molten metal such as Zinc, Mazak etc. (Not recommended for use in molten Aluminium)	CCI
Pyrocast XL Cast Ceramic Sheath for molten metals. It is particularly suitable for use in molten Aluminium as the cast ceramic material is inert to molten Aluminium and its alloys. This sheath combines high strength with excellent thermal shock resistance.	PXL

VERTICAL LENGTH	
Size	Code
300mm	0300
450mm	0450
600mm	0600
915mm	0915
CCI SHEATHS ONLY	
1070mm	1070
1200mm	1200

CONNECTING HEAD	
Description	Code
Die Cast Aluminium Connecting Head with Screw On cap with 'O' Ring Seal IP67	WD
Die Cast Angled Screw Cap with 'O' Ring Seal IP67	KN

