

# Thermocouples TC HT CH

The Series TC HT CH comprises of a range of thermocouples designed for use at elevated temperatures.

The protection sheath is manufactured from ceramic material in a choice of either Aluminous Porcelain or Recrystallised Alumina.

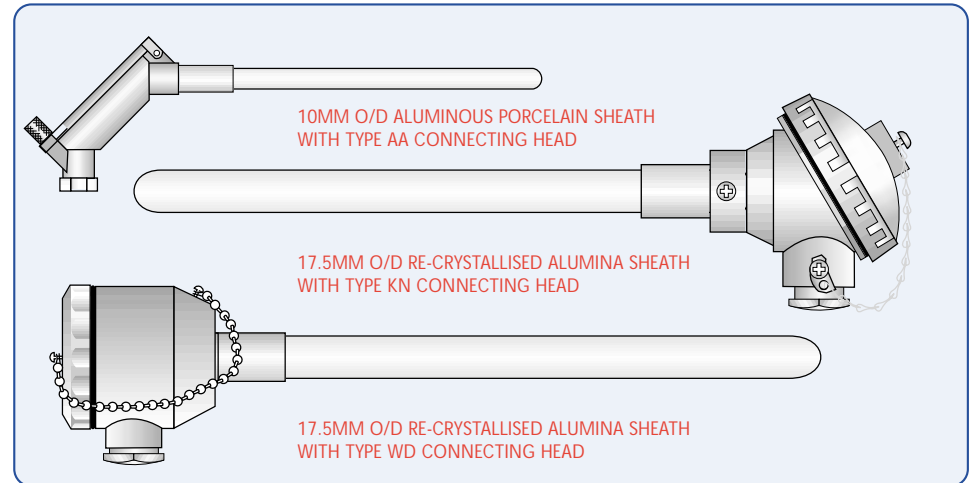
They have an Inconel extension piece 25mm or 75mm long to enable mounting fittings to be used.

Thermocouple elements type K N R & S are supplied as standard.

For use up to 1600°C they are used in a variety of applications from pottery kilns to large industrial furnaces.

Types WD & KN connecting heads house ceramic blocks with terminals of thermocouple material, (compensating for types R & S), to maintain accuracy of sensor calibration.

*These Thermocouples are all supplied, as standard, to Thermocouple Tolerance Class 1 for greater accuracy.*



**ORDER CODE**  
TC HT CH - E - SS - - - - SL - - - - EX - - CH - - F - -

*The order code information below is shown as a guide to specifying the probe.*

*Please contact our sales office if any features that you require are not shown.*

| CALIBRATION TYPE |          |
|------------------|----------|
| Type/Code        | Max Temp |
| K                | 1150     |
| N                | 1250     |
| R                | 1600     |
| S                | 1500     |

| SHEATH LENGTH |      |
|---------------|------|
| Size          | Code |
| 200mm         | 0200 |
| 250mm         | 0250 |
| 300mm         | 0300 |
| 350mm         | 0350 |
| 400mm         | 0400 |
| 500mm         | 0500 |
| 600mm         | 0600 |
| 700mm         | 0700 |
| 1000mm        | 1000 |

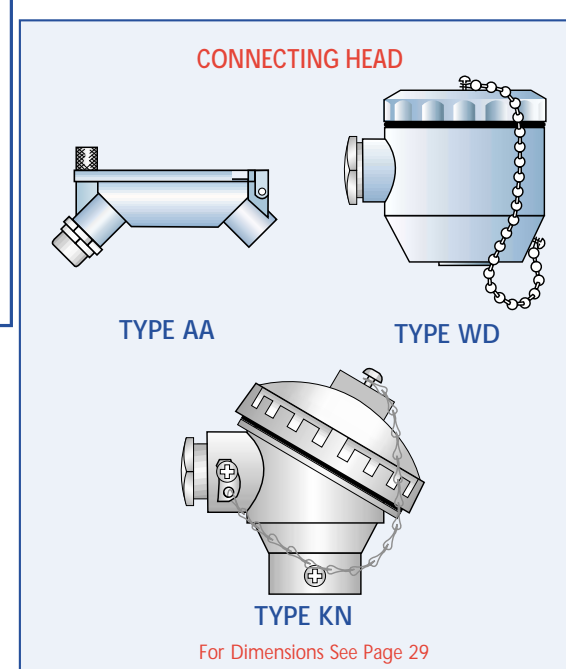
| EXTENSION PIECE |      |
|-----------------|------|
| Length          | Code |
| 25mm            | 25   |
| 75mm            | 75   |

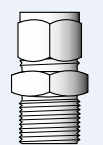
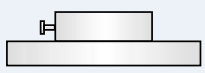
| ELEMENTS |      |
|----------|------|
| Type     | Code |
| Single   | S    |
| Duplex   | D    |

| CONNECTING HEAD  |      |
|--|------|
| Description  | Code |
| Angled Alloy Connecting Head with hinged lid (10mm dia sheaths) IP54                           | AA   |
| Die Cast Aluminium Connecting Head with screw on cap with 'O' Ring Seal (all dia sheaths) IP67 | WD   |
| Die Cast Angled Screw Cap with 'O' Ring Seal (all dia sheaths) IP67                            | KN   |

| SHEATH SPECIFICATION & TEMPERATURE |             |      |
|------------------------------------|-------------|------|
| Type                               | Max Temp °C | Code |
| Aluminous Porcelain 10mm dia       | 1400        | AP10 |
| Aluminous Porcelain 17.5mm dia     | 1400        | AP20 |
| Recrystallised Alumina 10mm dia    | 1600        | RA10 |
| Recrystallised Alumina 17.5mm dia  | 1600        | RA20 |

*Some applications may require a double protection sheath (inner & outer)*



| FITTINGS  |      |
|---|------|
| Size/Code   | Code |
| No fitting  | F0   |
| 3/4" BSPT Compression (10mm sheaths only)   | F1   |
|  |      |
| For clamping on extension piece   |      |
| Flange 50mm dia (10mm sheaths only)   | F2   |
| Flange 115mm dia  | F3   |
|  |      |

Flange fixing holes:  
3x4mm on 40 mm PCD - F2  
3x11.5mm on 80mm PCD - F3