

Thermocouples TC HD CH

The TC HD CH Range of Thermocouples comprise of a series of Heavy Duty Probes. The sheath diameter and material can be chosen to give optimum life and performance.

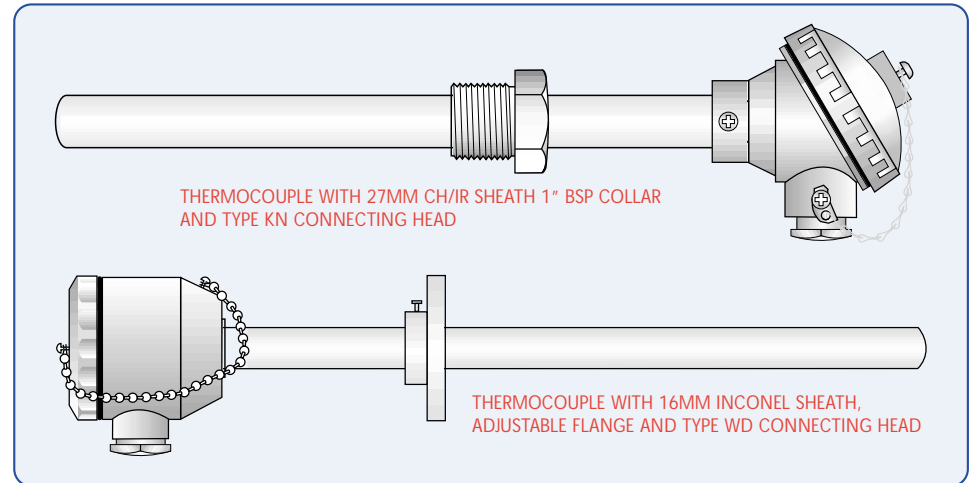
The construction is of heavy gauge thermocouple wire with ceramic insulation.

The hot junction is isolated and termination is made via a robust industrial connecting head.

A choice of protective sheaths along with a guide to suitable applications is given below.

The connecting head houses a ceramic block with types WD and KN having terminals of thermocouple material to maintain accuracy of sensor calibration.

These Thermocouples are all supplied, as standard, to Thermocouple Tolerance Class 1 for greater accuracy.



ORDER CODE
TC HD CH - E - SS - SL ---- CH -- F --

*The order code information below is shown as a guide to specifying the probe.
Please contact our sales office if any features that you require are not shown.*

CALIBRATION TYPE	
Type	Max Temp
K	1150
J	750
N	1250
R	1600
S	1500

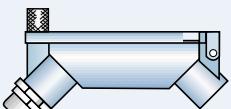
ELEMENTS	
Type	Code
Single	S
Duplex	D

SHEATH SPECIFICATION & TEMPERATURE			
Type	Max Temp °C	Code	
16mm Stainless Steel 316 Excellent corrosion resistance up to the maximum operating temperature	800°C	1	
16mm Inconel 600 Very good corrosion resistance up to maximum operating temperatures. Not recommended for Sulphur bearing atmospheres.	1100°C	2	
26mm Inconel 600 Very good corrosion resistance up to maximum operating temperatures. Thick wall provides extended service life. Not recommended for use in sulphur bearing atmospheres.	1100°C	3	
27mm CH/IB446 Chromium Iron composition. Excellent corrosion resistance up to maximum operating temperatures. Suitable for use in Sulphur bearing atmospheres.	1150°C	4	
26mm Kanthal APM Extremely versatile sheath which has a very high maximum temperature when compared to other metallic sheaths. High resistance to sulphur bearing atmospheres and rapid response time. Excellent service life in harsh conditions (Lengths available 400,500,600,750 & 1000mm)	1400°C	5	
25.5mm Microbell C Especially recommended for use with Type N conductors but can be used with all calibrations. Suitable for oxidising and reducing atmospheres. Not recommended for sulphur bearing atmospheres.	1250°C	6	

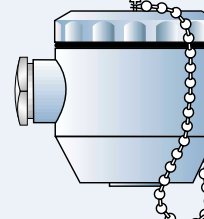
SHEATH LENGTH	
Size	Code
200mm	0200
250mm	0250
300mm	0300
350mm	0350
400mm	0400
500mm	0500
600mm	0600
700mm	0700
750mm	0750
800mm	0800
900mm	0900
1000mm	1000
1200mm	1200
1500mm	1500

Most of the above listed sheath lengths are stock items - please contact our Sales office for availability of other lengths.

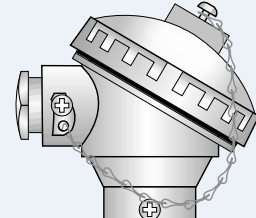
CONNECTING HEAD



TYPE AA



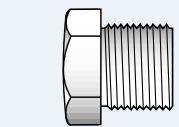
TYPE WD



TYPE KN

For Dimensions See Page 29

CONNECTING HEAD	
Description	Code
Angled Alloy Connecting Head with hinged lid (16mm dia sheaths) IP54	AA
Die Cast Aluminium Connecting Head with screw on cap with 'O' Ring Seal (all dia sheaths) IP67	WD
Die Cast Angled Screw Cap with 'O' Ring Seal (all dia sheaths) IP67	KN

FITTINGS	
Description	Code
No fitting	F0
1" BSP Welded Collar (State Position - not available for Kanthal Sheaths)	F1
 115mm dia Adjustable Flange	F3

Flange fixing holes: 3x11.5mm on 80mm PCD - F3