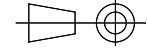
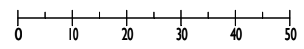


TERWIN INSTRUMENTS LIMITED OWN THE COPYRIGHT OF THIS DRAWING WHICH IS NOT TO BE COPIED, REPRODUCED OR DISCLOSED TO A THIRD PARTY WITHOUT WRITTEN PERMISSION

IF IN DOUBT ASK DO NOT SCALE

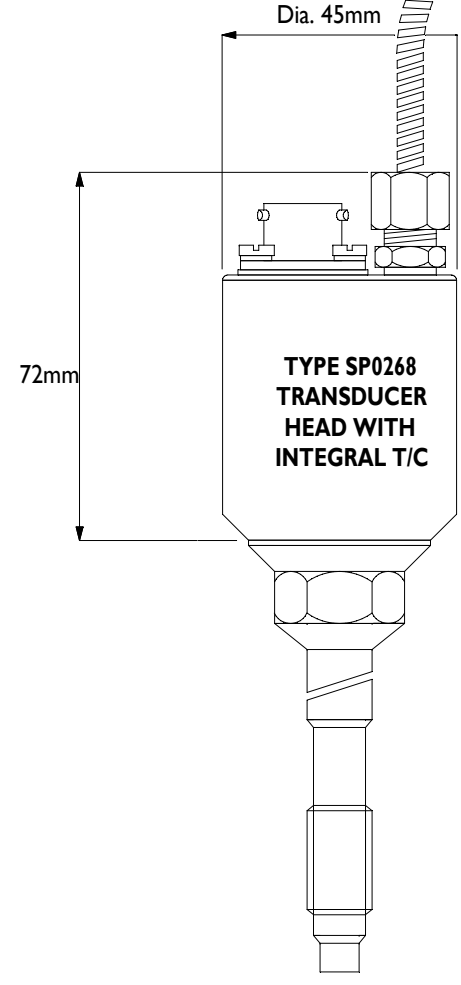
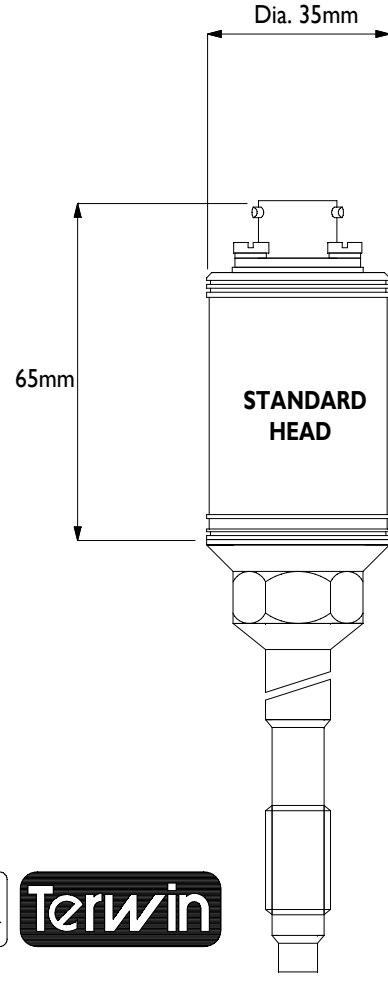
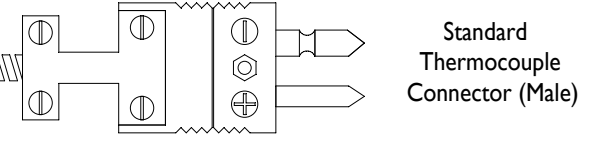


ALL DIMENSIONS IN MILLIMETRES

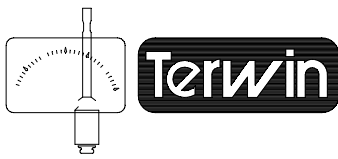
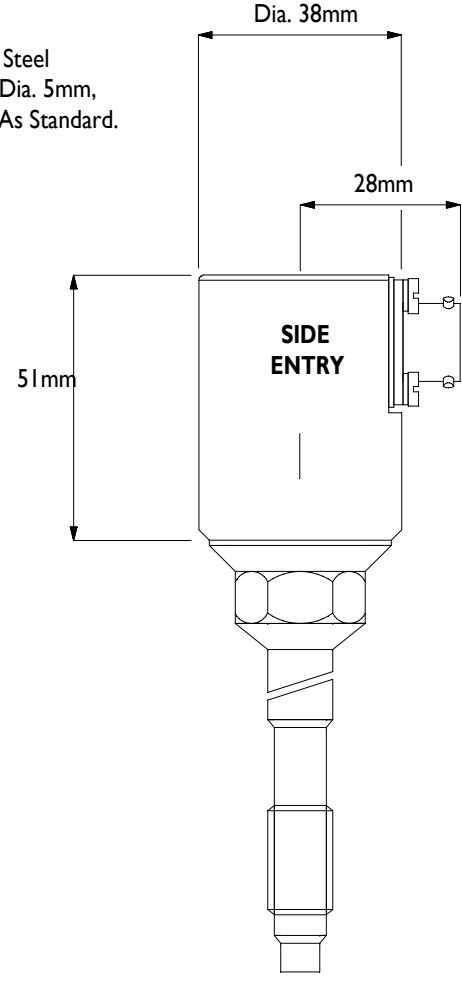
SCALE N.T.S. U.S.O.

THIS IS A C.A.D. DRAWING DO NOT ALTER MANUALLY

VARIOUS CONNECTOR OPTIONS ARE AVAILABLE. PLEASE CONTACT OUR SALES OFFICE FOR DETAILS



Stainless Steel Armouring, Dia. 5mm, 150mm Long As Standard.



Terwin Instruments Limited

Winterbeck Industrial Estate,
Orston Lane,
BOTTFESFORD,
Nottinghamshire,
NG13 0AU
Tel: +44 (0) 1949 84 2000
Fax: +44 (0) 1949 84 2004

DRAWN	G.W.	DRG. NO.	CAD REF.	MATERIAL:
DATE	06.02.98	MPD/1000/063C	MPD1M63C	
CHECKED	T.W.	TITLE	TOLERANCES:	
APPROVED	T.W.	2000 SERIES HEAD OPTIONS	SALES AID ONLY	

B	06.02.98	2000 SERIES UPDATE	G.W.
ISS	DATE	DESCRIPTION	APP'D